

## NKX20-Z-XL

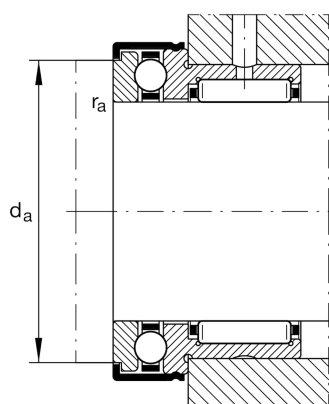
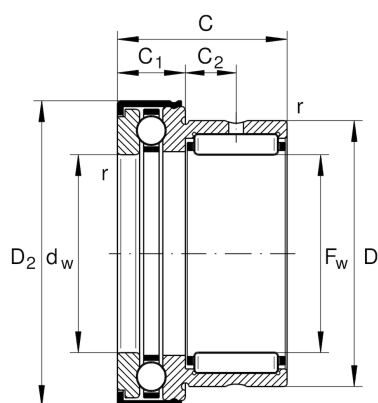
Needle roller/axial ball bearing

Schaeffler ID:  
0507475760000

Needle roller/axial ball bearings NKX...-Z, axial component, single direction, to DIN 5429, with end cap, for grease lubrication

X-life

### Technical information



### Main Dimensions & Performance Data

$F_w$	20 mm	Bore diameter
$D$	30 mm	Outside diameter
$C$	30 mm	Height
$C_r$	18,600 N	Basic dynamic load rating, radial
$C_{0r}$	23,800 N	Basic static load rating, radial
$C_a$	14,200 N	Basic dynamic load rating, axial
$C_{0a}$	24,700 N	Basic static load rating, axial
$C_{ur}$	4,200 N	Fatigue load limit, radial
$C_{ua}$	1,220 N	Fatigue load limit, axial
$n_G$	7,500 1/min	Limiting speed
	85.14 g	Weight

### Dimensions

$D_{1 \max}$	36.2 mm	Maximum outside diameter flange
	IR17X20X20-XL	Suitable inner rings IR
$D_{2 \max}$	36.2 mm	Maximum outside diameter flange
$C_1$	10 mm	Width of the axial bearing component
$C_1$	10.5 mm	Distance to lubrication hole
$C_2$	10.5 mm	Distance to lubrication hole
$d_w$	20 mm	Bore diameter of shaft washer
$r_{\min}$	0.3 mm	Minimum chamfer dimension

### Mounting dimensions

$d_a$	30.7 mm	Mounting dimension shaft shoulder
$r_{a \max}$	0.3 mm	Maximum recess radius

### Temperature range

$T_{\min}$	-30 °C	Operating temperature min.
$T_{\max}$	120 °C	Operating temperature max.